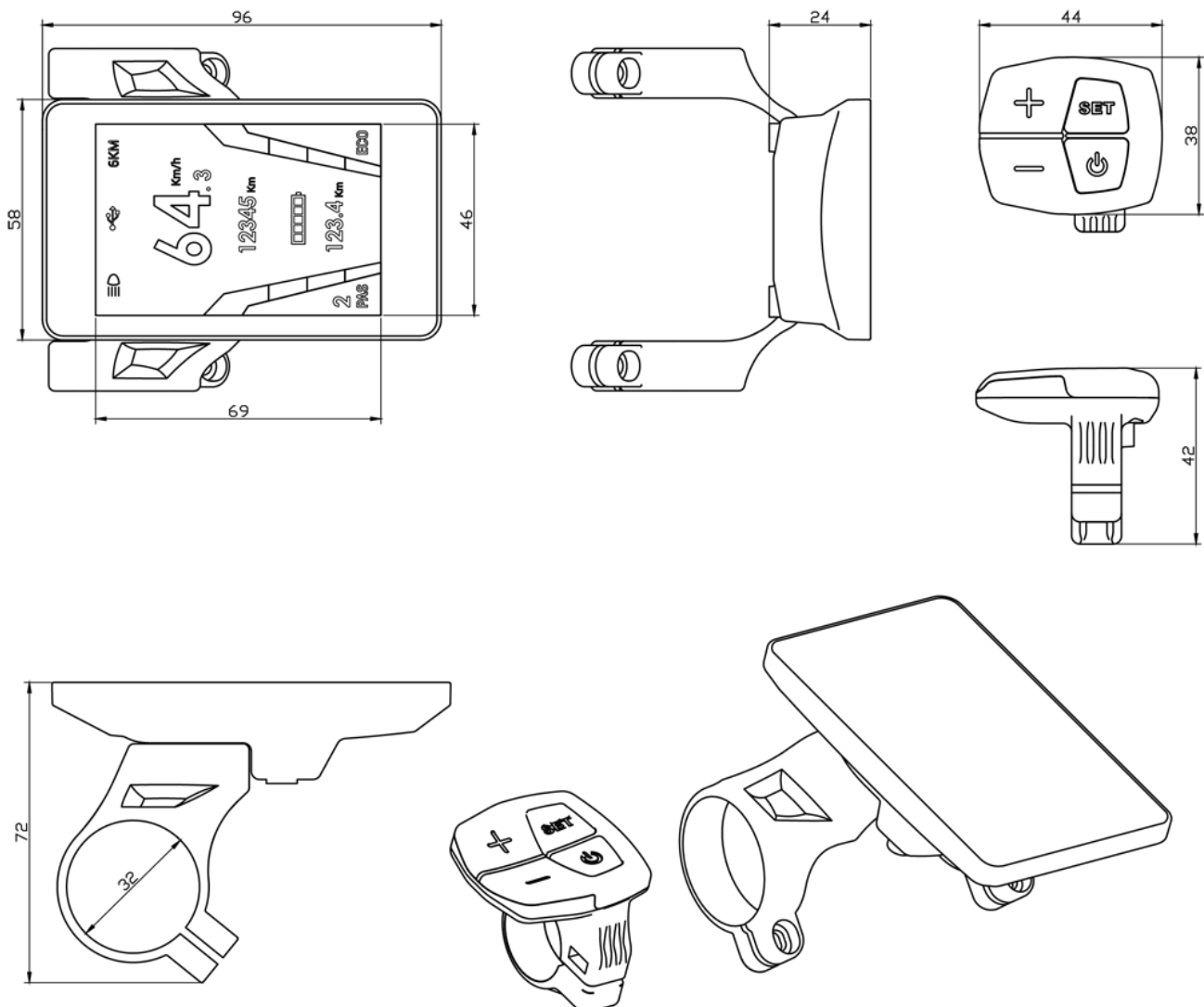


C800 Instructions



Dimensions



Function summary



1. Backlight indicator:

With the power on, click the ON/OFF button to turn on or off the backlight.

2. 6KM/H walk function:

Hold the DOWN for 2 seconds to get the bike to move at 6km/h

3. Error:

Displays the current error code.

4. KM/H&MPH:

Select KM/H or MPH through settings for speed and mileage.

5. Speed display:

Shows current riding speed.

6. ODO:

The ODO records the driving mileage from using, the accumulated value cannot be cleared.

7. Battery status:

Battery power level based on voltage.

8. Trip:

Display shows the user's single riding trip distance.

9. PAS:

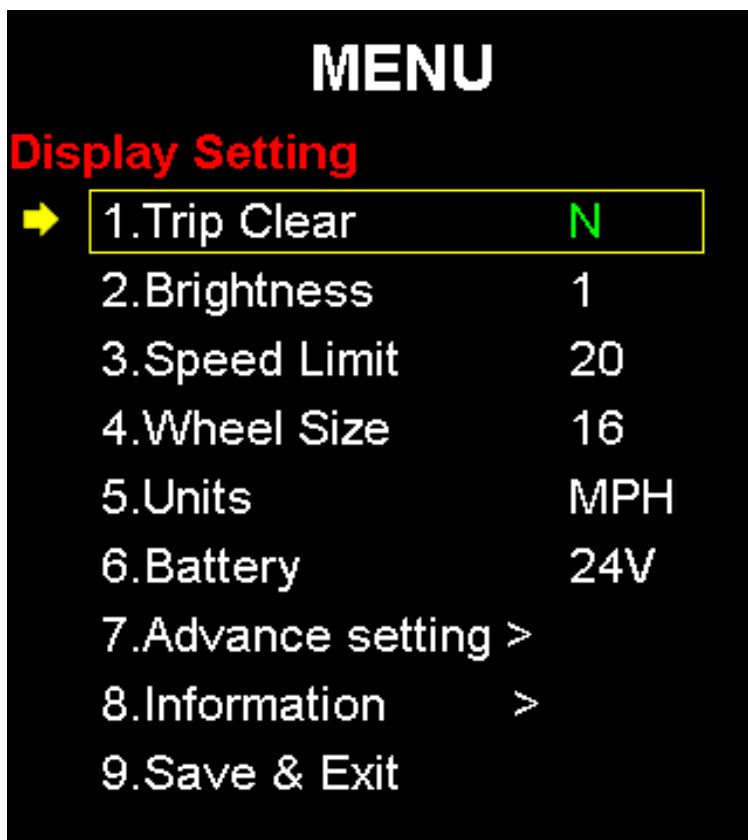
Displays the pedal assist power level.

10. Riding mode selection:

There are three modes for riding with arrow selection, including POWER, NORMAL and ECO. The default option is NORMAL.

Settings

Hold down the SET button for 2s to enter GENERAL SETTINGS. Scroll through the menu to:



1: Reset trip distance

2: Set screen brightness

3: Speed limit (default setting is 25km/h. This is the legal limit in Australia)

4: Wheel size – this will be written on your tyre

5: Speed read out – in km/h or mph

6: Battery voltage. This will usually be 36V, sometimes 48V. Specific to your battery.

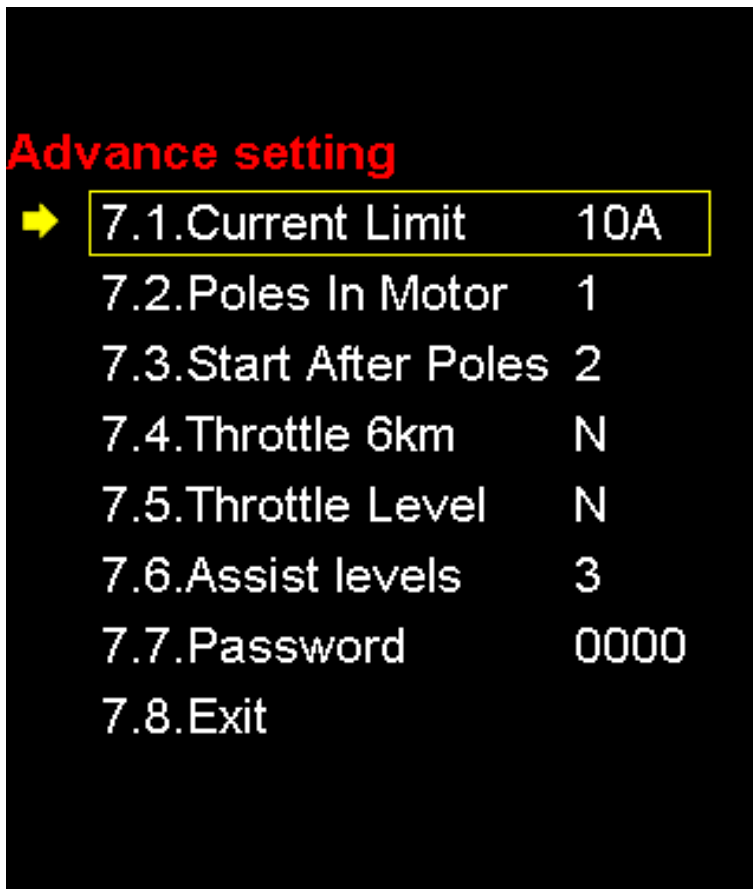
7: This allows you to enter the Advance setting menu.

8: System information shows software and hardware information.

9: Save settings and exit to regular display screen.

Advanced Settings

Scroll through GENERAL SETTINGS menu to reach the ADVANCED SETTINGS menu:



1: Current limiting setting (Range:3-18).

2: Velocity measurement setting (1/6).

3:Starting magnetic steel number setting (2-16).

4: Throttle 6KM. You can have the throttle have a limit of 6km/h (Y) or be open (N).

5: The throttle can be stepped (Y) or undivided (N).

6: You can set the levels of power assistance to between 3-9.

7: You can set a password to start the system. Default is 0000.

8: Exit

Error code table

The error code is corresponding with the fault definition.:

Error code	definition
4	Turn the handle upside down
5	Throttle fault
6	Low voltage protection
7	Over voltage protection
8	Hall signal wires fault on the motor
9	Phase wire fault on the motor
16	Controller temperature is too high, and reaches the protection point
17	Temperature sensor inside controller fault
18	Current sensor fault
19	Temperature sensor inside battery fault
20	Temperature sensor inside the motor fault
33	Speed sensor fault
34	BMS communication fault
35	Light fault
36	Light sensor fault
48	communication display receiving error

※The system will automatically turn off after 5 minutes if not used.